



SPARE PARTS EXPLODED VIEW  
GAS WALL BOILERS

Models

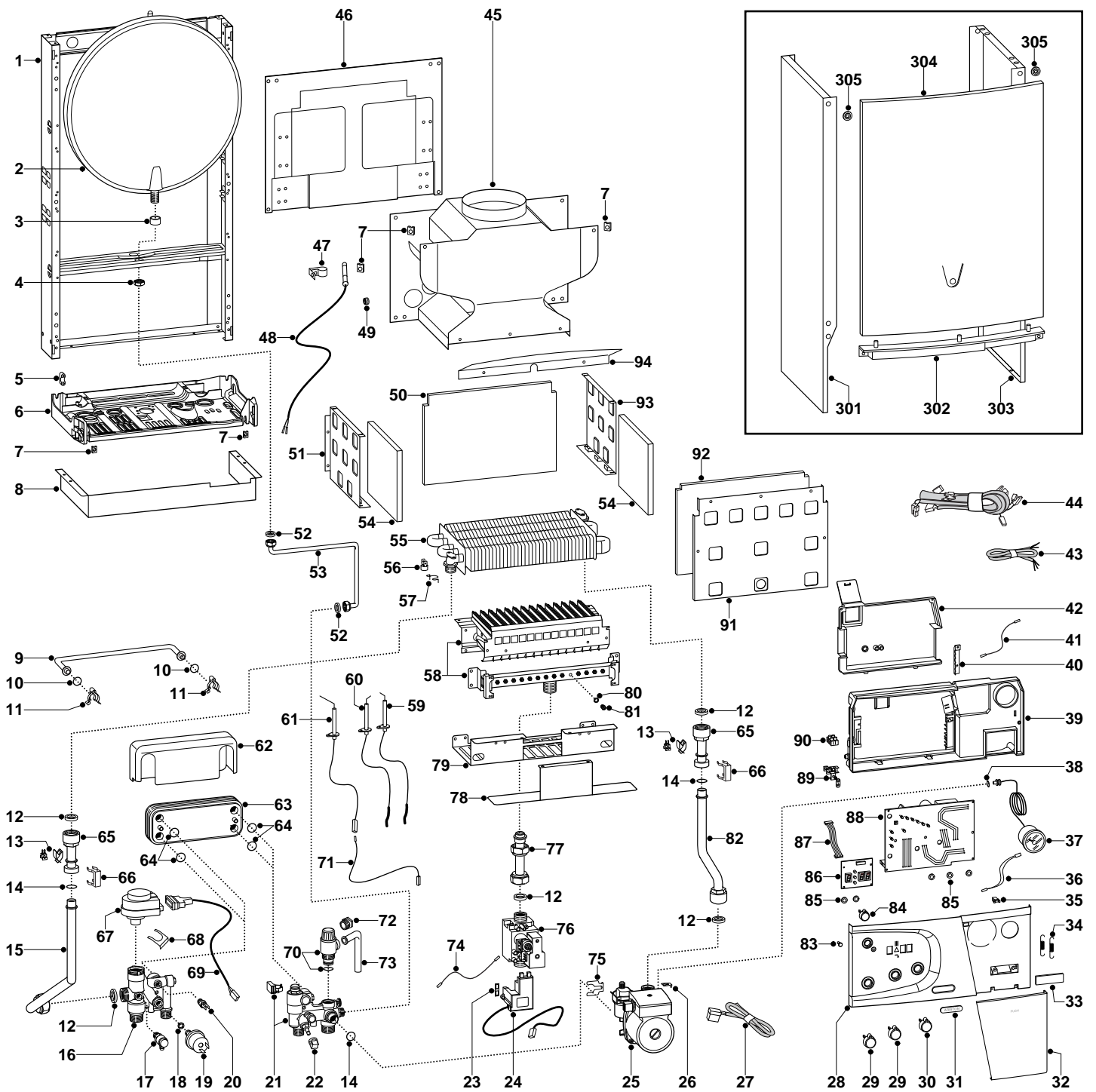
**MICROGENUS PLUS 24 MI**

**MICROGENUS PLUS 28 MI**

---

Edition 1 of 1 July 2004





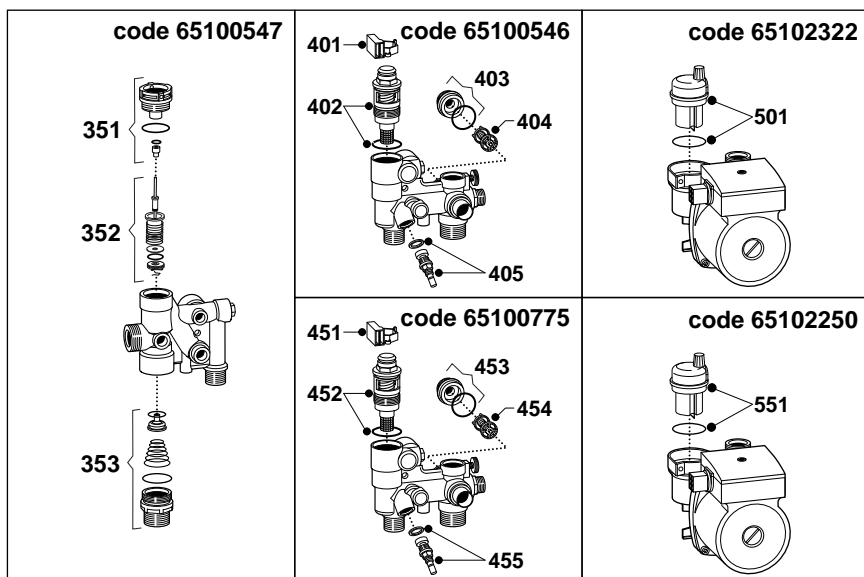
ER2004210046601001

MODEL	CODE	SERIAL NO. VALIDITY	REF.
MICROGENUS PLUS 24 MI NG	537813	2320418300000	A
MICROGENUS PLUS 28 MI NG	537815	2320418300000	B

PART.	CODE	DESCRIPTION	REF.	NOTE
1	-----	Frame		11
2	998616	Expansion vessel		
3	998776	Bush (expansion vessel)		
4	998581	3/8" lock nut		
5	571562	Cable clamp		
6	-----	Hydraulic group support		11
7	570717	Spring (fastening) (5 pcs)		
8	65100712	Grankase (connectors cover white)		
9	65100684	By-pass pipe		
10	998077	O-ring gasket (20 pcs)		
11	998064	Spring (by-pass pipe) (10 pcs)		
12	573520	Gasket 3/4" (25 pcs)		
13	990686	Temperature probe + clip (C.H. - T335D)		
14	998424	O-ring (C=4 D=17,04) (10 pcs)		
15	65101424	Delivery pipe		
16	65100547	3-way-pressure gauge valve group		
17	573727	Drain valve		
18	569390	Gasket 1/4" (25 pcs)		
19	995903	Low water pressure switch		
20	998458	Temperature probe (D.H.W.)		
21	65100546	Return group with by-pass	A	
21	65100775	Return group with by-pass	B	
22	571559	Filling cock knob		
23	574279	Gasket (spark generator) (5 pcs)		
24	65100701	Spark generator		
25	65102322	Pump	A	
25	65102250	Pump (2-speed)	B	
26	65100680	Clips		
27	65100703	Cable (P.C.B./pump)		
28	65100728	Control panel		
29	65100687	Knob (D.W.H./C.H.)		
30	65100690	Knob (On-Off)		
31	-----	Plate (adhesive)		11
32	65100686	Control panel cover		
33	-----	Name badge		11
34	65100678	Fixing spring (panel)		
35	65100676	Push (case door) (5 pcs)		
36	65100677	Safety wiring		
37	65100695	Pressure gauge		
38	998517	Gasket (20 pcs)		
39	-----	Control panel		11
40	-----	Cable clamp		11
41	65100705	Cable (earth)		
42	65101460	Control panel cover		
43	65100699	Cable (power supply)		
44	65101293	Wiring		
45	65101422	Flue hood	A	
45	996335	Flue hood	B	
46	-----	Combustion chamber back support		11
47	573349	Spring (Flue Control Probe) (10 pcs)		
48	995348	Cable (flue control probe)		
49	573510	Pipe Holder		
50	996126	Panel (insulation - rear)	A	
50	996161	Panel (insulation - rear)	B	
51	995893	Panel (combustion chamber - L.H. side)	A	
51	995922	Panel (combustion chamber - L.H. side)	B	
52	573521	Gasket 3/8" (25 pcs)		
53	65100681	Pipe (expansion vessel)		
54	998639	Panel (insulation - side)		
55	998620	Main exchanger	A	
55	999152	Main exchanger	B	
56	996065	Thermostat (overheat- 103°C)		
57	998583	Fixing spring (overheat therm.) (5 pcs)		
58	996158	Burner 12 ramp (N.G.)	A	
58	998887	Burner 14 ramp (N.G.)	B	
59	65100251	Electrode (Ignition R.H.)		

PART.	CODE	DESCRIPTION	REF.	NOTE
60	65100250	Electrode (Ignition L.H.)		
61	998624	Electrode (Detection)		
62	65100706	Cover insulation (secondary exchanger)		
63	998483	Secondary exchanger (p-type 30Kw)		
64	573825	O-Ring (secondary exchanger - 10 pcs)		
65	65101423	Connector pipe		
66	61010609	Fixing spring (exchanger pipe)		
67	997147	Motor (3-Way valve)		
68	997077	Fixing clip (motor)		
69	65100700	Motor cable		
70	997088	Safety valve (3 bar)		
71	996119	Cable (detection)		
72	998567	Nut (pipe - safety valve)		
73	573176	Pipe (safety valve outlet)		
74	65100704	Earth cable (valve)		
75	65100679	Clips		
76	997089	Gas valve (SIT 845 SIGMA)		
77	65102321	Gas pipe		
78	65101421	Protection screen		
79	65101420	Protection screen		
80	572138	Burner jet washer (20 pcs)		
81	998433	Burner jet (NG 1.30) (10 pcs)		
82	65101425	Pipe (C.H. return)		
83	65100688	Button (reset)		
84	65100689	Knob		
85	569711	Nylon bush (10mm - 20 pcs)		
86	65100709	P.C.B. (CMP3-display)		
87	65100697	Display cable		
88	65100871	P.C.B. (CMP3-HS MI/MFFI)		
89	-----	Terminal board		11
90	571787	Terminal board (two pole)		
91	995921	Panel (combustion chamber - front)	B	
91	65100555	Panel (combustion chamber - front)	A	
92	995952	Panel (insulation - front)	B	
92	995999	Panel (insulation - front)	A	
93	995892	Panel (combustion chamber - R.H. side)	A	
93	995923	Panel (combustion chamber - R.H. side)	B	
94	995312	Plate (frontal)	B	
301	998695	Case panel (L.H. side)		
302	991944	Front panel crossbar		
303	998694	Case panel (R.H. side)		
304	995343	Panel (front case)	B	
304	998690	Panel (front case)	A	
305	995305	Washer (20 pcs)		
601	998716	N.G. burner jet full kit (15 pcs)		12
602	998717	L.P.G. burner jet full kit (15 pcs)		12

NOTE	DESCRIPTION
11	Not supplied as a spare part
12	Not illustrated



PART.	CODE	DESCRIPTION	REF.	NOTE
351	998974	Heating actuator bush		
352	998975	3-Way spring kit (D.H.W.)		
353	998718	3-Way spring kit (C.H.)		
401	65100540	Flow detection kit with magnet		
402	65100541	3-Way spring kit (D.H.W.)		
403	65100869	Union with O-ring		
404	998490	Central heating by-pass kit	A	
405	65100542	Tap kit		
451	65100540	Flow detection kit with magnet		
452	65100541	3-Way spring kit (D.H.W.)		
453	65100869	Union with O-ring		
454	65100776	Central heating by-pass kit	B	
455	65100542	Tap kit		
501	995367	Air release valve complete with o-ring		
551	995367	Air release valve complete with o-ring		